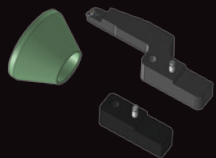


INDY 420 – Basic brake disc machine 24v DC with standard cones and bells 40 - 100mm, 2 cutting tips, operation manual and 12 months warranty.

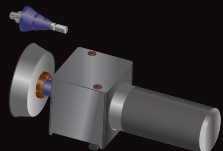
Manual **£1495.00** Automatic **£1895.00**



DRUM KIT

Consists of 2 additional cutting arms and smaller cone.

£250.00



FLYWHEEL KIT

Consists of 24v grinding head, grinding wheels, silicone cleaning stone, 3 small cones and shaft kit.

£975.00



RUN-OUT COMPENSATION KIT

Dial gauge, goose neck and 4 run-out screws, 5 washers and crayon, to facilitate in eliminating stacked hub run-out issues.

£250.00



100v TO 240v AC

50 or 60Hz to 24v DC transformer with built in circuit protection, auto reset, fully enclosed, splash proof and solid state.

£225.00



RETURN ON INVESTMENT



IN JUST 4 DISCS

TECHNICAL SPECIFICATIONS:

| | | |
|---------------------|-----------------------|--------|
| Max Rotor Thickness | 1.75" | 44mm |
| Min Rotor Thickness | 0.2" | 5mm |
| Max Rotor Diameter | 16.8" | 425mm |
| Max Friction Face | 3.5" | 90mm |
| Max Depth of Cut | 0.01" | 0.25mm |
| Spindle Speed | 90rpm | |
| Carriage Speed | 6 to 15mm per minute | |
| Motor | 400w 0.4Kw or 0.55hp | |
| Shipping Weight | 45kg | |
| Electrical Supply | 24v DC or 100-250v AC | |

Dynastat Ltd is exclusively owned by Guy Carter and Harald Oppermann. Both are fully qualified Engineers with a combined industry experience of over 50 years. The Indy 420 is 100% designed in Germany and 100% built in Great Britain using British and German components for a no-compromise build quality for many years of trouble free usage.

- www.dynastat.org
- info@dynastat.org
- +44 1242 696207 (International)
- +49 5139 278641 (DACH region)
- @brakelatheman

DYNASTAT
THE BRAKE LATHE EXPERTS

SIMPLE | ACCURATE | ROBUST
RESULTS IN LESS THAN



15 MINS

1
WORLD'S
1st
HIGH PERFORMANCE
BRAKE
LATHE



MADE IN GREAT BRITAIN
DESIGNED IN GERMANY
SOLD WORLDWIDE

SIMPLE | ACCURATE | ROBUST

www.dynastat.org

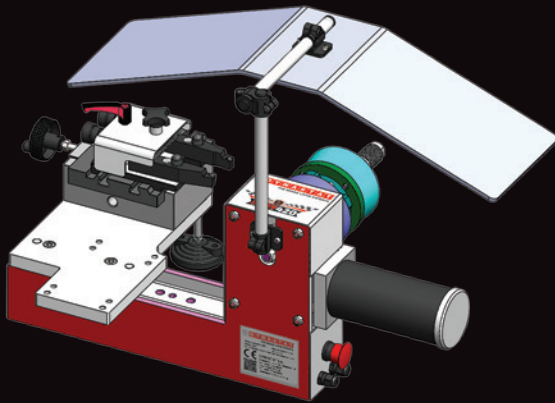


HIGH PERFORMANCE
LOW COST

**RETURN ON INVESTMENT IN
JUST 4 DISCS ON A**

AUDI RS | BENTLEY | BMW M | MERCEDES AMG
JAGUAR R OR RANGE ROVER!

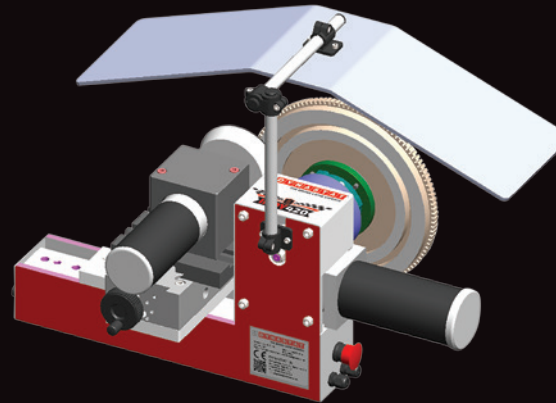
The only machine in the world that can machine Brake Discs, Brake Drums and Grind Flywheels all in one low cost affordable machine



MACHINING BRAKE DISCS

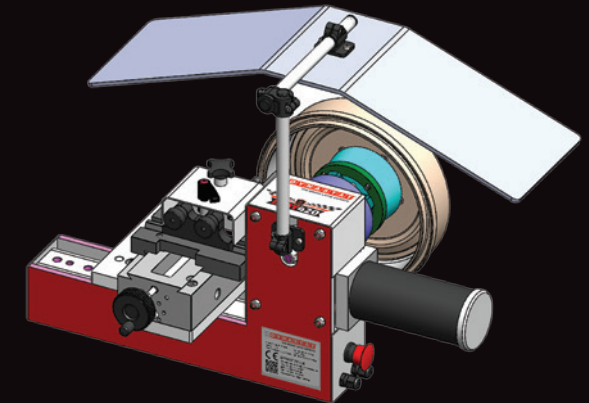
The Indy 420 story:

Two of the most experienced sellers of brake lathes with over 3000 machines under their belts realised that a better, more versatile and less costly machine was needed. As nothing was available they decided to develop their own machine.



GRINDING SOLID FLYWHEELS

- 24v DC operation, can work from two 12v batteries or via an optional transformer
- Max 420mm rotor diameter
- Very fast pay back period, normally just a few weeks
- Add an extra revenue stream to your business
- No waiting for parts or the wrong parts!
- Easy to use, simple, robust and reliable



MACHINING BRAKE DRUMS

Most Workshops have a need for a brake lathe either to solve vibration issues, clean off corrosion, or remove lips. Traditional machines are so expensive that the return on investment is far too long.

The Indy 420 allows ALL garages the chance to enter the market with brand new machines at a sensible price so that a return on investment is just weeks.



DESIGNED IN GERMANY



MADE IN GREAT BRITAIN

SOLD WORLDWIDE

SIMPLE | ACCURATE | ROBUST

www.dynastat.org

+44 1242 696207 (International)
+49 5139 278641 (DACH region)